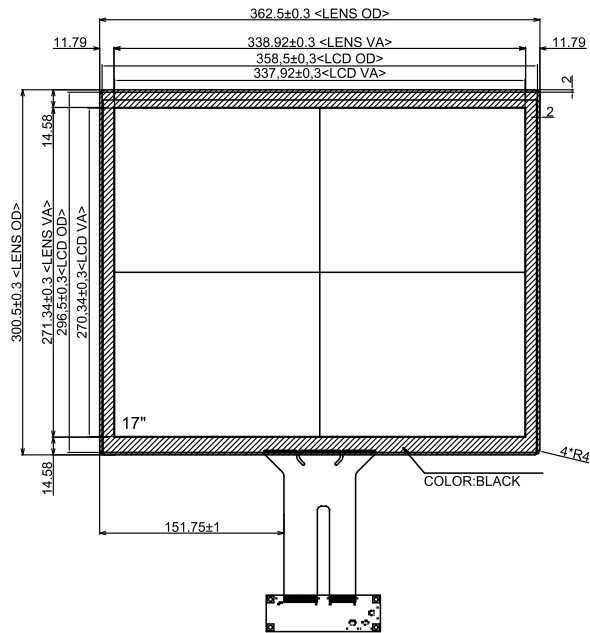


Ver.	Modify No.	Details	Area	P.I.C	Date

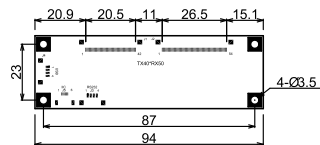
TOP VIEW



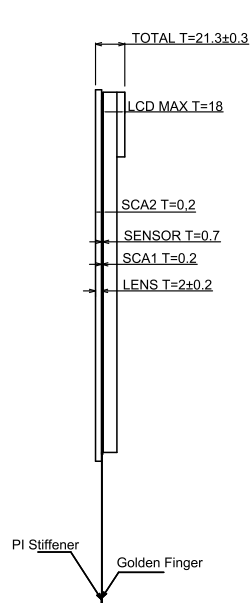
USB PIN ASSIGNMENT

1	VBUS
2	DN
3	DP
4	GND

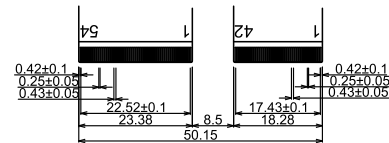
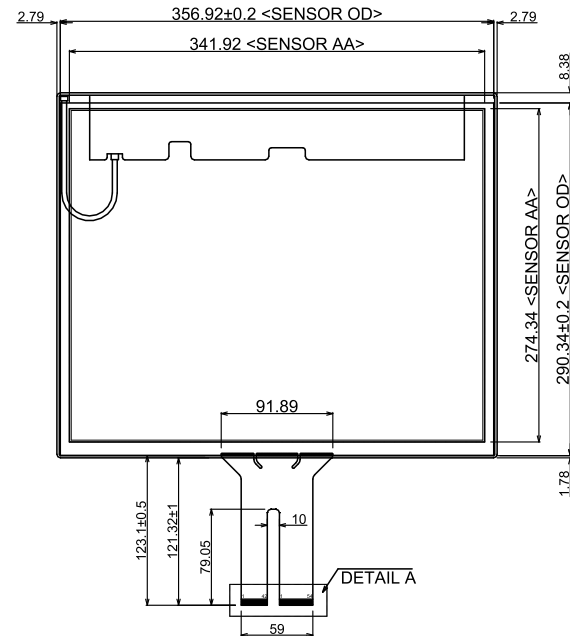
CONTROLLER SC 2:1



SIDE VIEW



BOTTOM VIEW



Channels: RX*TX=50*40

Technical Datasheet:

1. Structure: TP+LCM Optical Bonding
2. Cover Glass: 2mm Tempered glass
3. LCD: G170ETN01.0
4. TP Controller: MST-TPM-CTR-ILI-170B
5. TP Controller IC: ILI2510(Tx40°Rx50)
6. Surface Hardness: ≥6H
7. Light Transmittance: ≥85%
8. Unmarked Tolerance: ±0.5mm
9. All materials used conform to RoHS standards

Part No.		MST-TPM-17-G1		
Master Touch Product Name: 17 inch Touch Display (TP+LCM Optical Bonding)		Drawing No.	PM17004210824	
		Project Code.	PM17004	
Business Unit: SNT-BTP		Period Mark	View Angle	Ratio
		A		1:1
BOM Code		2.23.170.04.0000	Page 1	Total 1 Page
Product Series		BTP-TPA	 思诺泰科电子(苏州)有限公司 SINOTECHNICS INC.	

Designed by:	Curry.Wang
Checked by:	Betty.Fu
Approved by:	Cale.Chen
Workmanship:	Tina.Xin
Standardization:	Link.Chen
Released by:	Rocky.Liu