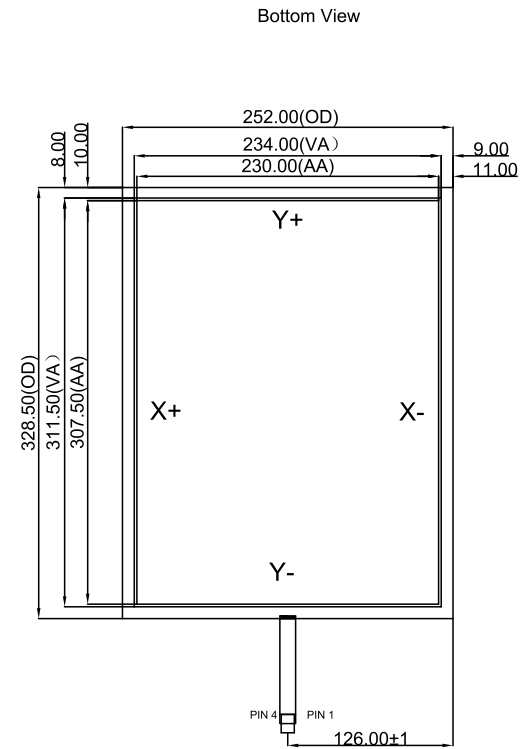
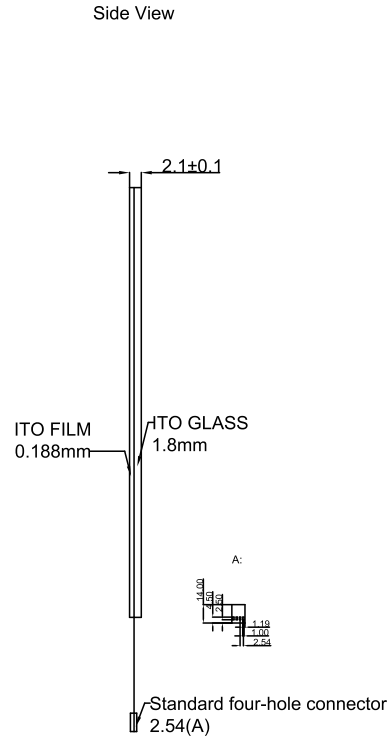
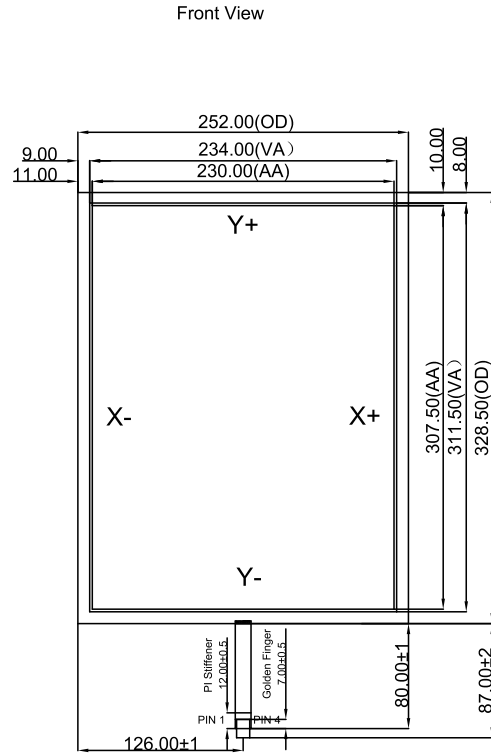


Ver.	Modify No.	Details	Area	P.I.C	Date



Description:

- structure: Film+Glass+Tail;
ITO Film: Fog face anti-Newton ring,0.188mm
ITO Glass: Ordinary Glass,1.8mm;
- Supply voltage: DC3-15V, 1mA;
- Insulation impedance: ≥20MΩ (25V DC);
- Linearity: ≤ 1.5%;
- Transmittance: ≥ 78%;
- Operating pressure: 20-100g;
- Service life: ≥1,00,000 times;
- Dot life: ≥ 1000000 times;
- Surface hardness: ≥3H
- Corresponding time: ≤10ms
- Working environment: -20℃~+70℃
- Storage environment: -30℃~+80℃;
- Circuit resistance X(Glass):150-550Ω Y(Film):400-1000 Ω;
- Dimension tolerance is ±0.30;
- Products comply with ROHS.

T/P PIN

PIN OUT	
1	Y+
2	Y-
3	X-
4	X+

Designed by:	Curry.Wang
Checked by:	Betty.Fu
Approved by:	Cale.Chen
Workmanship:	GUAN
Standardization:	Link.Chen
Released by:	Rocky.Liu

Part No.		MST-RT-TPS-15		
Master Touch Product Name: 15 inch Touch Panel		Drawing No.	R150S211206	
		Project Code.	R150S	
Business Unit: SNT-BTP		Period Mark	View Angle	Ratio
		A		1:1
BOM Code	1.14.150.01.0000	Page 1	Total 1 Page	
Product Series	BTP-RT	思诺泰科电子(苏州)有限公司 SINOTRONICS INC.		