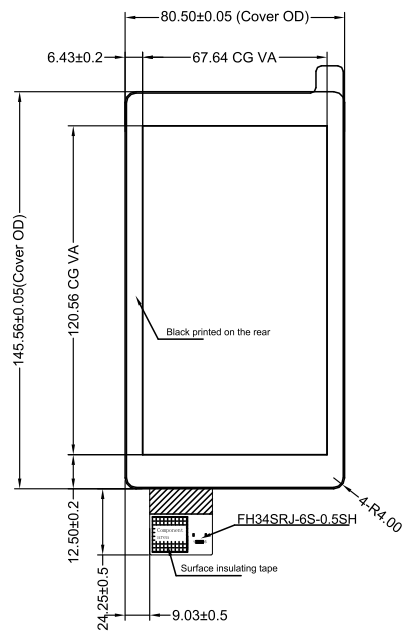
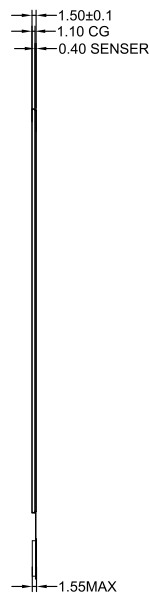


Ver.	Modify No.	Details	Area	P.I.C	Date

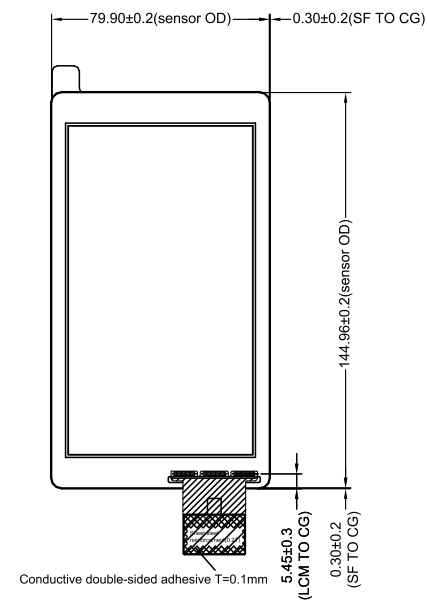
Front View



Side View



Back View



Technical Datasheet:

1. Structure: GFF
2. Controller: MST-GFF-CTR-GDX-055S COF
3. Controller IC: GT911
4. Touch points: 5
5. Cover Glass: T=1.1mm, Surface hardness ≥6H
6. Light transmittance: ≥85%
7. Working Temperature: -20°C~+70°C, ≤85%RH;
8. Storage Temperature: -30°C~+80°C, ≤85%RH;
9. Unmarked Tolerance: ± 0.3 mm;
10. All material used conform to RoHS standards

GLASS(1.1)
TOP OCA(0.125)
TOP ITO FILM(0.125)
BOT OCA(0.05)
BOT ITO FILM(0.125)

TP-PIN	
1	RESET
2	INT
3	VDD
4	SCL
5	SDA
6	GND

Part No.	MST-GFF-TPS-5.5-GDX				
Master Touch Product Name: 5.5 inch Touch Panel	Drawing No.	F055S71211129			
	Project Code.	F055S71			
Business Unit: SNT-BTP	Period Mark	View Angle	Ratio		
	A		1:1		
	BOM Code	1.13.055.71.0000		Total 1 Page	
Standardization:	Link.Chen	Product Series	BTP-GFF		
Released by:	Rocky.Liu	思诺泰科创电子（苏州）有限公司 SINOTRONICS INC.			