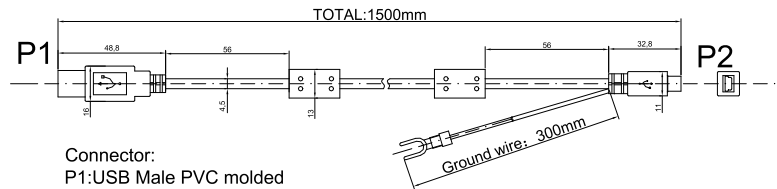
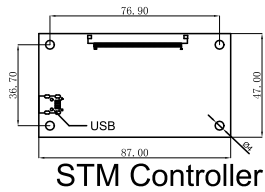
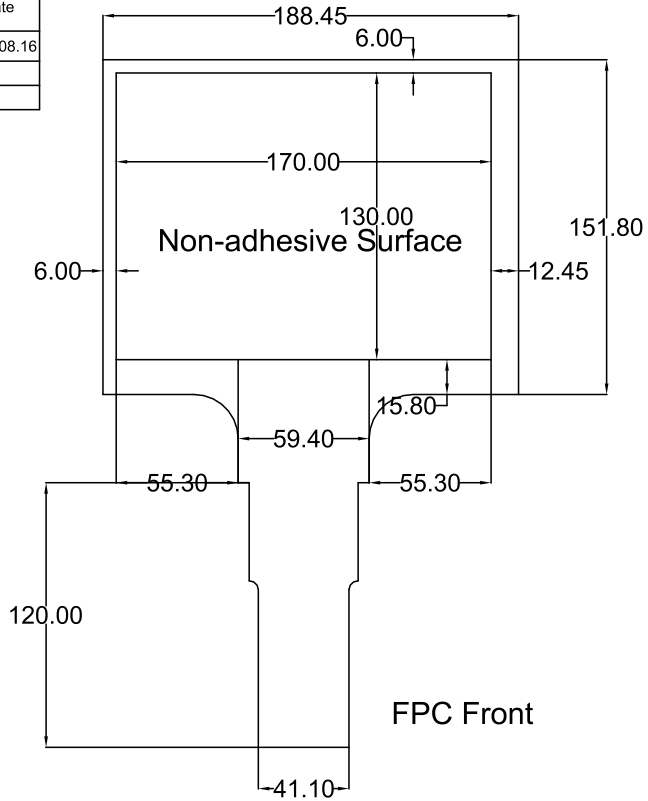


Ver.	Modify No.	Details	Area	P.I.C	Date
01	N01	P/N naming as per new rules	DZG, RMK	Curry	2021.08.16



Technical Datasheet:

1. Structure: Film+MCW+Film
2. Controller: MST-MCW-CTR-STM-8.4B
3. Channels: Tx/Rx: 24\*48
4. Touch Points: 12 Points
5. All material used conform to RoHS standards

Connector:  
P1:USB Male PVC molded  
P2:Mini-USB

Part No.		MST-MCW-TFB-8.4-STM		
 Product Name: 8.4 inch Touch Foil		Drawing No.	M084B210816	
		Project Code.	M084B	
Business Unit: SNT-BTP		Period Mark	View Angle	Ratio
		A		1:2
BOM Code	1.11.084.02.0000	Page 1	Total 1 Page	
Product Series	BTP-MCW	 思诺泰科创电子(苏州)有限公司		