

4

3

2

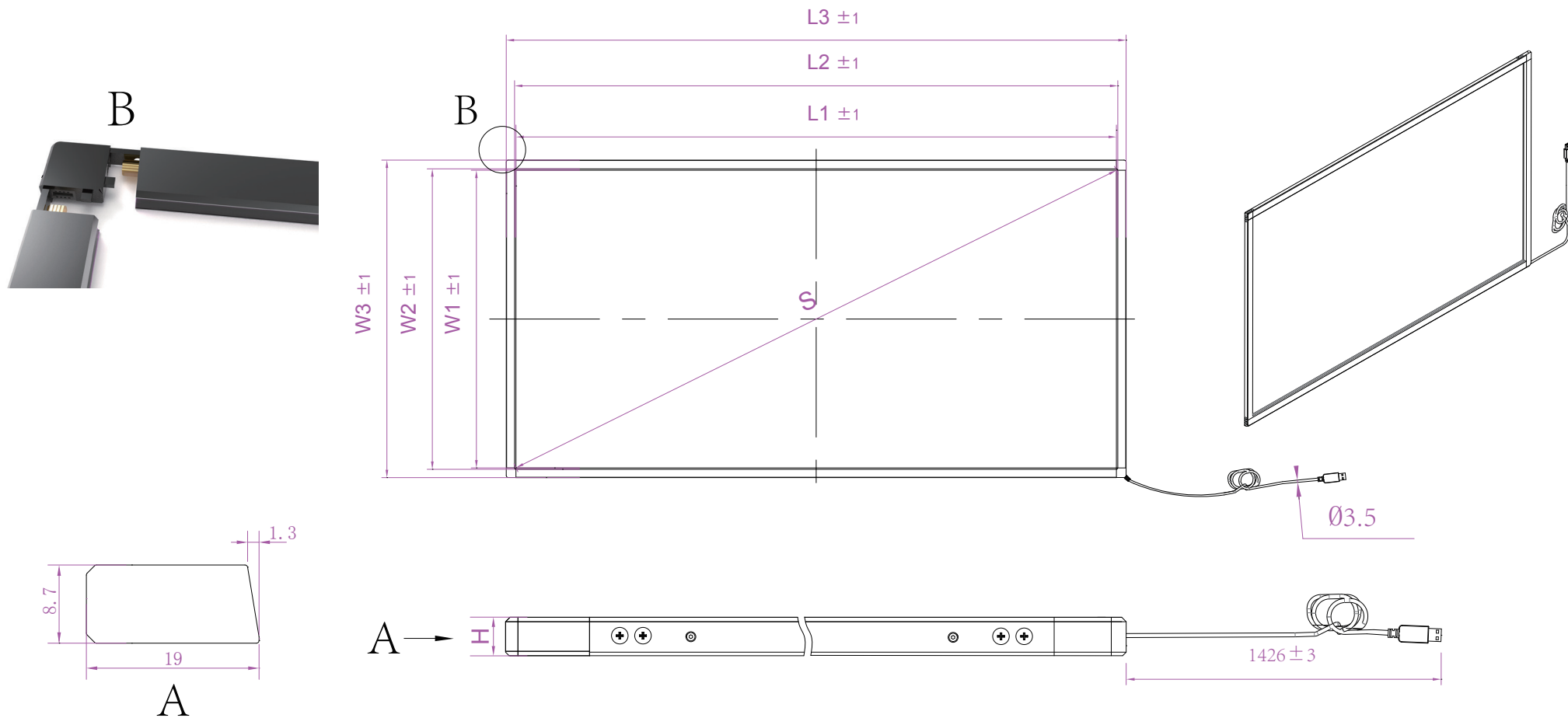
1

A

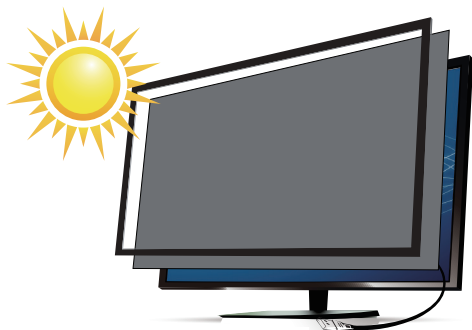
B

C

D




S(Inch/mm)	48.6"/1234.52
W1	608.2±1
W2	610.8±1
W3	646.2±1
L1	1074.3±1
L2	1076.9±1
L3	1112.3±1
H	8.7±0.2



Anti-Sunlight, No Blind Zone For Any Size



Master Touch 		MST-IR-TF-49	
Material:	aluminum	Unit:	mm
Draft by:		Date	
		Approved by	

4

3

2