

4

3

2

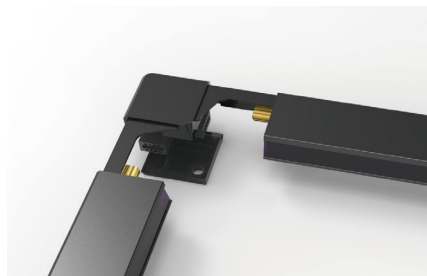
1

A

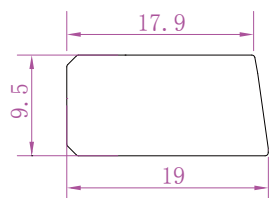
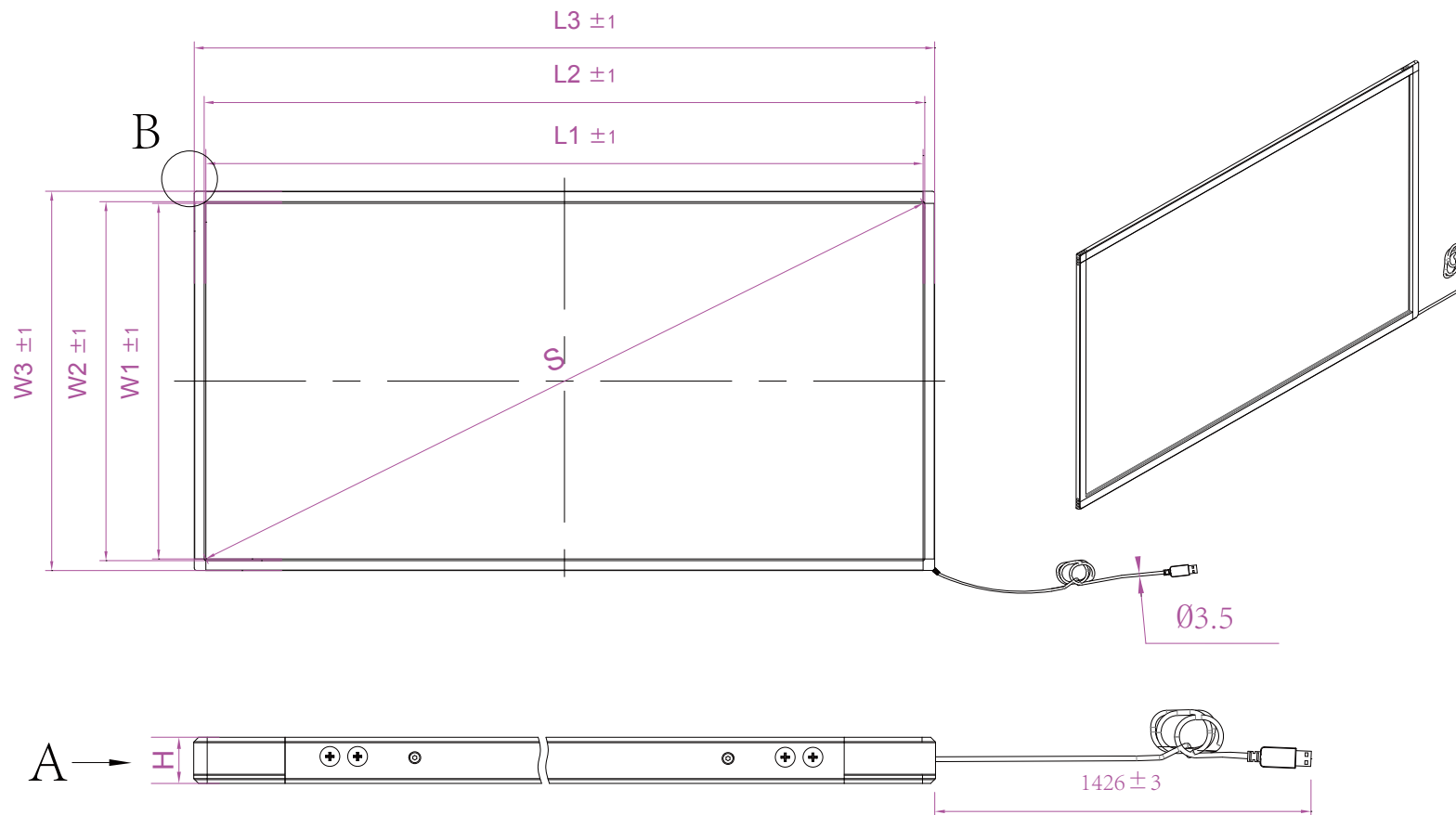
B

C

D

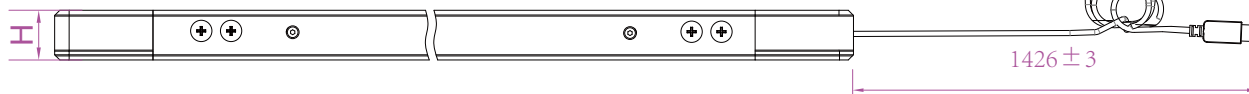


B



A

A




S(Inch/mm)	60.24"/1530.19
W1	749.8 ± 1
W2	752.0 ± 1
W3	787.8 ± 1
L1	1333.9 ± 1
L2	1336.1 ± 1
L3	1371.9 ± 1
H	9.5 ± 0.2



Anti-Sunlight, No Blind Zone For Any Size



Master Touch 		MST-IR-TF-60					
Material:	aluminum	Unit:	mm	Date:		Rev:	1.0
Draft by:		Approved by:					

4

3

2

1