

4

3

2

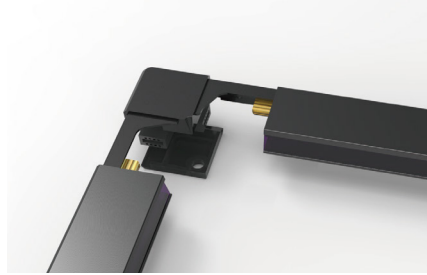
1

A

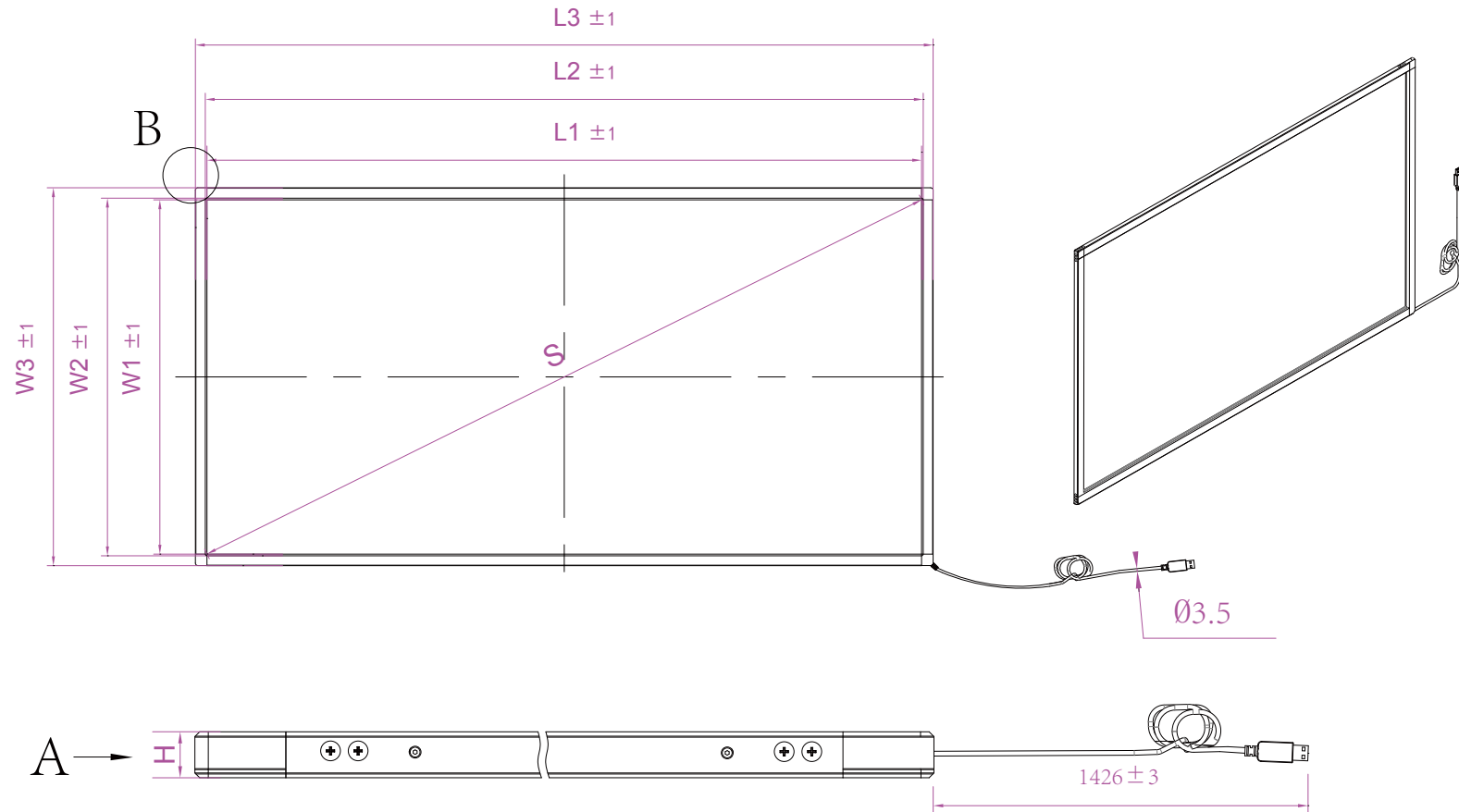
B

C

D

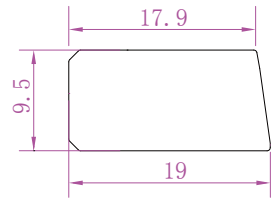


B



Ø3.5

1426 ± 3




A

|            |                |
|------------|----------------|
| S(Inch/mm) | 70.13"/1781.20 |
| W1         | 873.7 ± 1      |
| W2         | 875.9 ± 1      |
| W3         | 911.7 ± 1      |
| L1         | 1552.2 ± 1     |
| L2         | 1554.4 ± 1     |
| L3         | 1590.2 ± 1     |
| H          | 9.5 ± 0.2      |



Anti-Sunlight, No Blind Zone For Any Size



|  |          |              |    |       |  |      |     |
|--|----------|--------------|----|-------|--|------|-----|
| Master Touch  |          | MST-IR-TF-70 |    |       |  |      |     |
| Material:  | aluminum | Unit:        | mm | Date: |  | Rev: | 1.0 |
| Draft by:  |          | Approved by: |    |       |  |      |     |

4

3

2

1