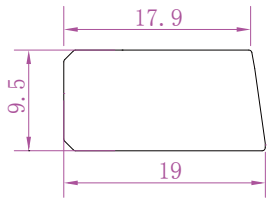
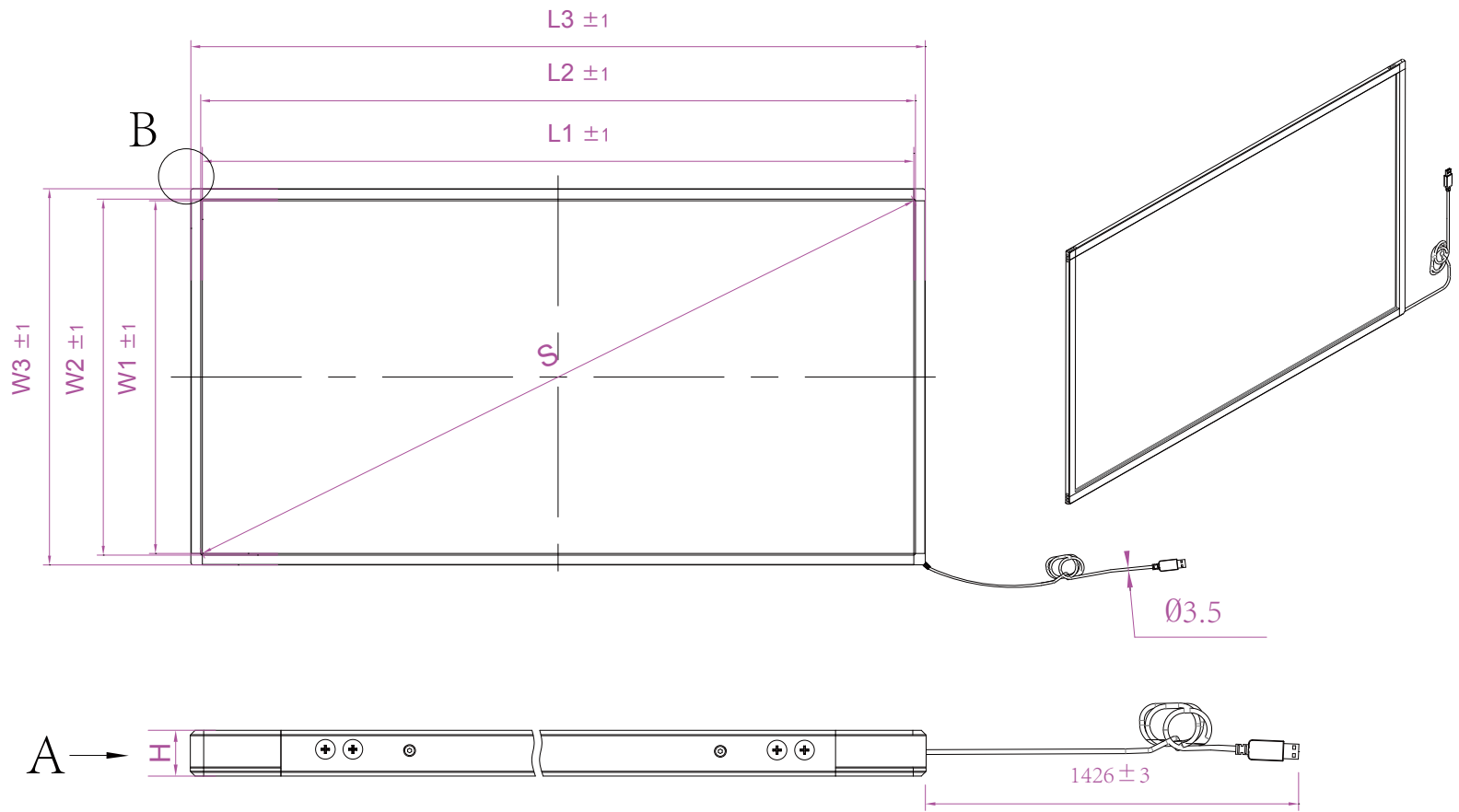
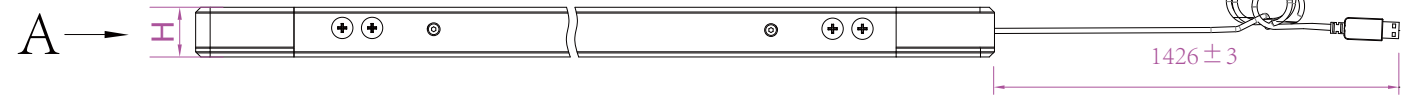


B



A




S(Inch/mm)	74.70"/1897.55
W1	932.7 ± 1
W2	934.9 ± 1
W3	970.7 ± 1
L1	1652.5 ± 1
L2	1654.7 ± 1
L3	1690.5 ± 1
H	9.5 ± 0.2



Anti-Sunlight, No Blind Zone For Any Size



Master Touch 		MST-IR-TF-75					
Material:	aluminum	Unit:	mm	Date:		Rev:	1.0
Draft by:		Approved by:					